

# FLARED EDGE CLAMPS Closed Type – Furnished Open

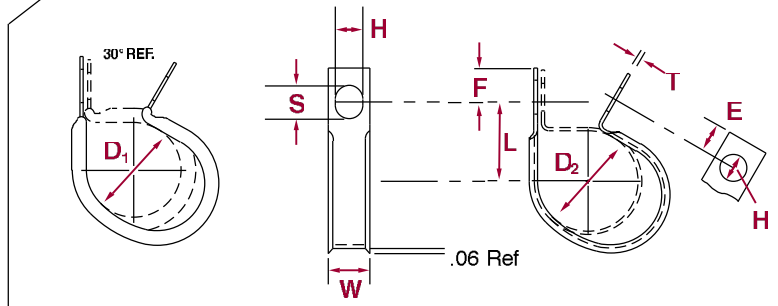
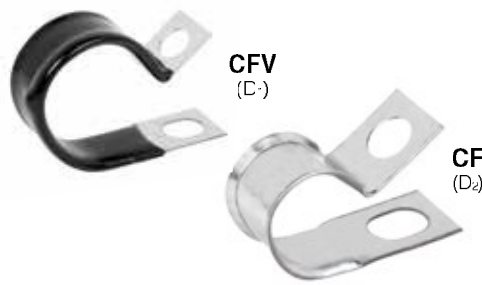
**MATERIAL:** HD Galv Steel, Per ASTM A653/A653M; CRS, Per ASTM A 1008 CS Type B

**CUSHION:** Black Vinyl, 1/32" Thick

**CFV-CF:** Parts Have One Round and One Slotted Hole

**FINISH:** Z1 - HD Galv Steel, Chem Treated G90

Z2 - .0002 min Zinc, Clear



D <sub>1</sub>		D <sub>2</sub>		L	W	H	E	F	S	T
Clamping Diameter	Part Number	Clamping Diameter	Part Number	Center To Center	Width	Hole Diameter	Hole Center To End	Slot Center To End	Slot Length	Material Thickness
±.031		±.015		±.031	±.010	±.005	±.015	±.015	±.020	±.002
		.187	CF-0309	.468	.500	.281	.250	.296	.375	.025
			CF-0311	.500	.562	.343	.281	.328	.437	.025
			CF-0313	.562	.625	.406	.312	.359	.500	.025
.187	CFV-0409	.250	CF-0409	.500	.500	.281	.250	.296	.375	.025
	CFV-0411		CF-0411	.531	.562	.343	.281	.328	.437	.025
	CFV-0413		CF-0413	.593	.625	.406	.312	.359	.500	.025
250	CFV-0509	.312	CF-0509	.531	.500	.281	.250	.296	.375	.025
	CFV-0511		CF-0511	.562	.562	.343	.281	.328	.437	.025
	CFV-0513		CF-0513	.625	.625	.406	.312	.359	.500	.025
.312	CFV-0609	.375	CF-0609	.562	.500	.281	.250	.296	.375	.025
	CFV-0611		CF-0611	.594	.562	.343	.281	.328	.437	.025
	CFV-0613		CF-0613	.656	.625	.406	.312	.359	.500	.025
.375	CFV-0709	.437	CF-0709	.593	.500	.281	.250	.296	.375	.025
	CFV-0711		CF-0711	.625	.562	.343	.281	.328	.437	.025
	CFV-0713		CF-0713	.687	.625	.406	.312	.359	.500	.025
.437	CFV-0809	.500	CF-0809	.625	.500	.281	.250	.296	.375	.025
	CFV-0811		CF-0811	.656	.562	.343	.281	.328	.437	.025
	CFV-0813		CF-0813	.718	.625	.406	.312	.359	.500	.025
.500	CFV-0909	.562	CF-0909	.656	.500	.281	.250	.296	.375	.025
	CFV-0911		CF-0911	.688	.562	.343	.281	.328	.437	.025
	CFV-0913		CF-0913	.750	.625	.406	.312	.359	.500	.025
.562	CFV-1009	.625	CF-1009	.687	.500	.281	.250	.296	.375	.025
	CFV-1011		CF-1011	.719	.562	.343	.281	.328	.437	.025
	CFV-1013		CF-1013	.781	.625	.406	.312	.359	.500	.025
.625	CFV-1109	.687	CF-1109	.718	.500	.281	.250	.296	.375	.025
	CFV-1111		CF-1111	.750	.562	.343	.281	.328	.437	.025
	CFV-1113		CF-1113	.812	.625	.406	.312	.359	.500	.025
.687	CFV-1209	.750	CF-1209	.750	.500	.281	.250	.296	.375	.025
	CFV-1211		CF-1211	.781	.562	.343	.281	.328	.437	.025
	CFV-1213		CF-1213	.843	.625	.406	.312	.359	.500	.025
.750	CFV-1309	.812	CF-1309	.781	.500	.281	.250	.296	.375	.025
	CFV-1311		CF-1311	.812	.562	.343	.281	.328	.437	.025
	CFV-1313		CF-1313	.875	.625	.406	.312	.359	.500	.025
.812	CFV-1409	.875	CF-1409	.812	.500	.281	.250	.296	.375	.025
	CFV-1411		CF-1411	.844	.562	.343	.281	.328	.437	.025
	CFV-1413		CF-1413	.906	.625	.406	.312	.359	.500	.025
.875	CFV-1509	.937	CF-1509	.843	.500	.281	.250	.296	.375	.025
	CFV-1511		CF-1511	.875	.562	.343	.281	.328	.437	.025
	CFV-1513		CF-1513	.937	.625	.406	.312	.359	.500	.025
.937	CFV-1609	1.000	CF-1609	.875	.500	.281	.250	.296	.375	.025
	CFV-1611		CF-1611	.906	.562	.343	.281	.328	.437	.025
	CFV-1613		CF-1613	.968	.625	.406	.312	.359	.500	.025
1.000	CFV-1709	1.062	CF-1709	.906	.500	.281	.250	.296	.375	.025
	CFV-1711		CF-1711	.938	.562	.343	.281	.328	.437	.025
	CFV-1713		CF-1713	1.000	.625	.406	.312	.359	.500	.025

Except for clamping diameter, dimensions of cushioned and non-cushioned parts are identical