

5

4

3

2

1

**Material and Finish Codes**

Z1 - CS, HD Galvanized, Chem Treated G90  
Z2 - CS, .0002 min Zinc, Clear

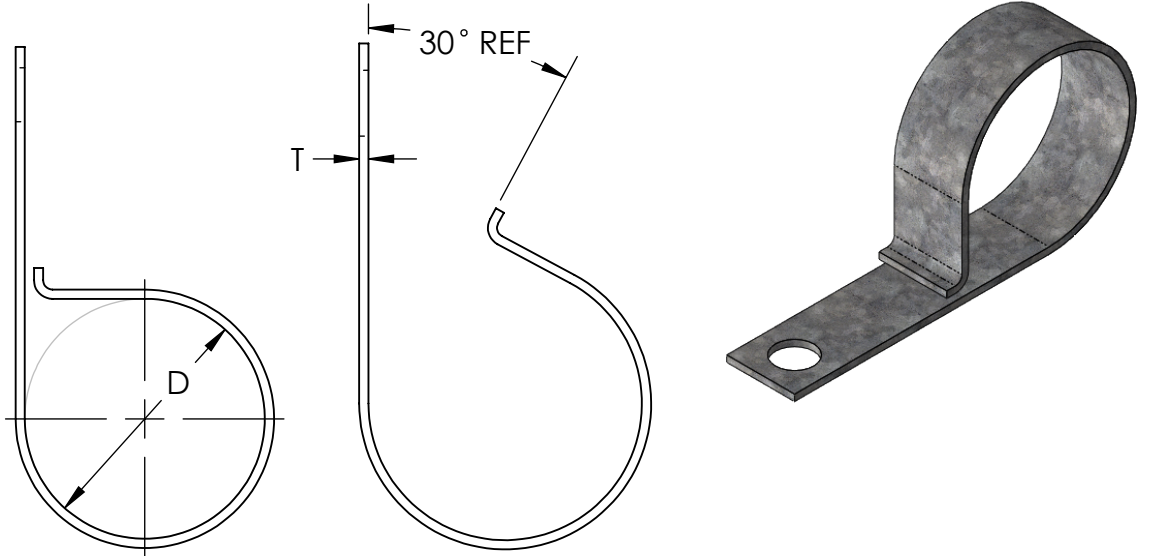
**Clamping Diameter (D)**

$$\frac{aa}{16}$$

$$\pm .031$$

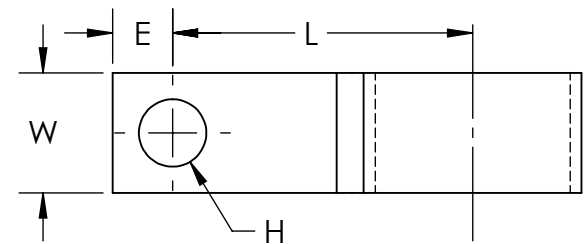
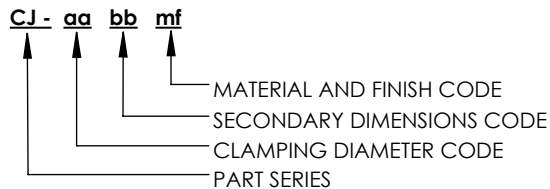
**Center to Center (L)**

aa from 02 to 06	aa from 07 to 12	aa from 13 to 33
$\frac{4aa + bb + 25}{64}$	$\frac{4aa + bb + 23}{64}$	$\frac{4aa + bb + 19}{64}$
$\pm .031$		



As Supplied  
(Open Position)

bb	Hole Diameter (H)	Hole Center to End (E)	Width (W)	Material Thickness (T)		
				aa from 02 to 03	aa from 04 to 09	aa from 10 to 33
07	.203	.218	.500	N/A	.032	.048
09	.281	.250				
11	.343	.281	.625	.025	.032	.048
13	.406	.312	.750			
	$\pm .005$	$\pm .015$	$\pm .010$			

**EXPLANATION OF PART CALLOUT****EXAMPLE OF PART CALLOUT**

**CJ- 13 11 Z1**

This part number indicates the clamp will have dimensions:  
 Clamping Diameter (D) = .813  
 Hole Diameter (H) = .343  
 Center to Center (L) = 1.281  
 Width (W) = .625  
 Hole Center To End (E) = .312  
 Material Thickness (G) = .048

Made from CS, Hot Dipped Galvanized,  
Chem Treated G90

**KMC**<sup>™</sup>

THE ORIGINAL CLIP & CLAMP CO.

1221 SOUTH PARK STREET  
PORT WASHINGTON, WI 53074  
(262) 377-5030

**PROPRIETARY AND CONFIDENTIAL**

THE INFORMATION CONTAINED IN THIS DRAWING IS THE SOLE PROPERTY OF KICKHAEFER MANUFACTURING COMPANY. ANY REPRODUCTION IN PART OR AS A WHOLE WITHOUT THE WRITTEN PERMISSION OF KICKHAEFER MANUFACTURING COMPANY IS PROHIBITED.

PART SERIES  
MASTER PRINT

**CJ**

J-CLIPS

DRAWN

CHECKED

BC

KW

8/22/17

9/11/18

NOT TO SCALE

5

4

3

2

1

A

A

D

D

C

C

B

B