

Date _____

Customer _____

Street Address _____

City _____ State _____ Zip _____

Person filling out report _____

Individual to be contacted if further information is needed:

Name _____ Title _____

Telephone Number _____

Application — Customer Part Number _____ (Please send print or sketch.)

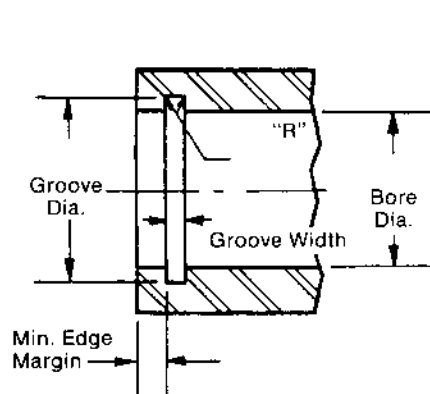
Technical Data

1. Type and yield strength of groove material _____
2. Amount of thrust load _____
3. Rotation speeds _____
4. Is there impact loading and, if so, what is the approximate magnitude? _____

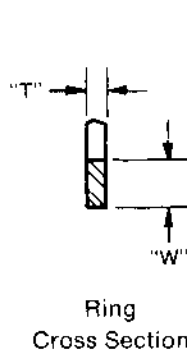
5. Amount of corner radius or chamfer on retained part _____
6. Is corrosion a consideration and, if so, what is the corrosive media? _____

7. Temperature at which assembly will operate _____
8. If a retaining ring is presently being used, what type is it and what are its limitations? _____

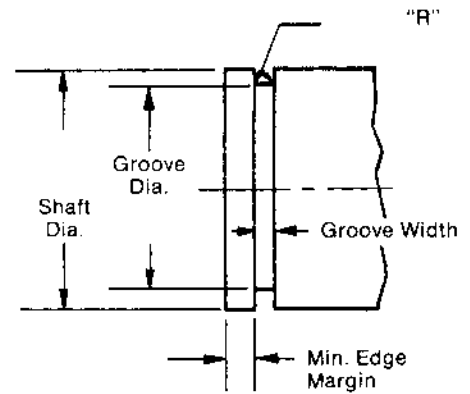
9. Monthly or annual usage _____
10. If application is in existence, or if ring design has already been completed, please furnish the following information:



Internal Application



Ring Cross Section



External Application

Please furnish any other pertinent ring application data on reverse side of this form.



Exclusive Factory Authorized Master Distributor
Prospect Fastener Corporation
Toll Free: 800-822-6080
Fax: 847-526-2955
E-mail: sales@prospectfastener.com
<http://www.prospectfastener.com>