

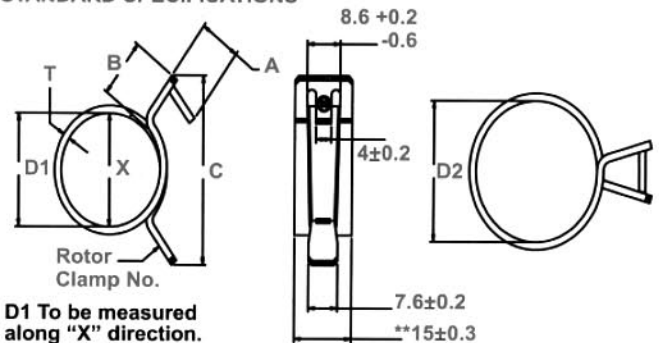


Carbon Steel Self-Compensating Constant Tension Band Hose Clamps



FINISH: Zinc Rich Paint* up to 700 hour-salt spray.
MATERIAL: SAE 6150 Chrome Vanadium
 (DIN 17222, JIS G 4802) and SAE/1074.

STANDARD SPECIFICATIONS



NOTE: Safety glasses should be worn when installing parts.

Note: All Dimensions are in Millimeters. Conforms to SAE spec. J1508.

Rotor Clamp CTB No. (mm)	Case Qty. min 1 case	Weight Per m	Weight Per Case Kg	D1 Free Dia. Max. (mm)	D2 Full Open Dia. Min. (mm)	Material Thickness T +0.08 -0.02	Reference Dimensions (All Sizes Listed in mm)		
							A (mm) Tab Height	B (mm) Ear Length	C (mm) Ear Span
CTB-13	2500	8.5	21250	12.0	14.2	0.70	7.3	11.7	27.0
CTB-14	2500	10.2	25500	13.5	15.3	0.80	8.0	12.5	30.0
CTB-15	2500	9.35	23375	13.9	16.8	0.70	7.2	11.9	31.0
CTB-16	2500	12.87	32175	14.4	17.2	1.00	6.6	10.8	28.5
CTB-17	2500	10.8	27000	15.2	18.5	0.85	7.3	12.5	32.0
CTB-19	1800	20.3	36540	17.8	20.0	1.30	10.4	12.0	35.0
CTB-20	1700	21.4	36380	18.4	21.6	1.30	9.1	12.1	32.0
CTB-22	1000	23.2	23170	20.5	24.5	1.30	8.5	12.5	36.0
CTB-23	1000	27.5	27500	21.0	24.7	1.50	8.1	12.9	39.0
CTB-24	1250	24.0	29975	22.0	26.0	1.30	8.1	12.7	36.0
CTB-25	1000	29.5	29500	23.5	26.8	1.50	9.3	12.4	34.0
CTB-26	1000	31.9	31900	24.3	28.0	1.60	10.0	12.6	34.0
CTB-27	1000	33.6	33570	25.2	28.9	1.60	10.1	12.5	38.0
CTB-29	900	38.9	35010	27.0	31.5	1.73	10.3	13.3	35.0
CTB-30	900	38.2	34380	28.0	32.5	1.73	11.4	13.4	41.0
CTB-32	700	38.9	27230	29.3	34.5	1.73	11.7	12.1	44.0
CTB-35	700	44.2	30940	31.5	38.0	1.73	11.1	15.0	50.0
CTB-36	700	44.4	31080	32.5	39.0	1.73	11.3	13.3	48.0
CTB-38	600	47.5	28500	34.5	41.5	1.73	10.2	15.1	52.0
CTB-40	600	47.9	28740	35.5	42.5	1.73	11.1	13.0	52.0
CTB-42	500	54.0	27000	37.2	44.5	1.90	10.6	14.7	52.0
CTB-44	500	56.1	28050	38.5	46.5	1.90	11.0	14.5	53.0
CTB-46	500	61.4	30675	40.5	48.5	2.00	11.5	14.4	55.0
CTB-47	450	63.5	28575	41.4	50.0	2.00	13.2	14.3	59.0
CTB-50	450	67.1	30195	43.5	53.0	2.00	11.3	14.4	59.0
CTB-51	350	67.4	23590	44.0	54.0	2.00	11.2	15.6	60.0
CTB-53	300	77.8	23340	46.0	55.8	2.20	11.1	16.5	61.0
CTB-55	250	79.0	19750	46.8	58.0	2.20	11.3	15.2	65.0
CTB-58	250	85.1	21275	50.0	61.0	2.25	10.5	14.8	66.0
CTB-61	200	98.9	19780	54.0	65.0	2.40	12.2	15.0	69.0
CTB-67	175	108.5	18988	60.0	72.0	2.40	13.1	16.0	78.0

*Offers five times the corrosion protection over traditional zinc plating. It is available in Black, Silver, Brown, Tan, Blue, Green and Red (Mechanical Zinc is also available along with other finishes. Inquire for more information).

Meets the following automotive specifications: General Motors: GM-7111M, GM-7112M; Ford Motor Company: ESA-M21P5A; Ford Worldwide: WSD-21P11-B1, WSD-21P11-B2; Daimler Chrysler: PS-7626.