

# DOUBLE TUBE CLAMPS Extruded Liner

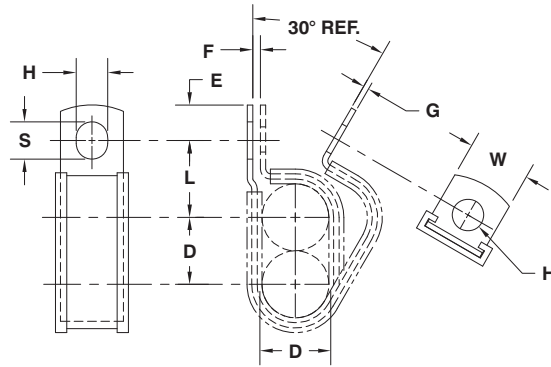
**MATERIAL:** HD Galv Steel, Chem-Treated G90, Per ASTM A653/A653M; Type 304 Annealed Stainless Steel, Per ASTM A240/A666

**CUSHION:** EPDM per SAE J200/ASTM D2000 BC715A

**OPTIONAL CUSHION:** Neoprene per AMS3209 SAE J200/ASTM D2000 BC717A14B14EO34, Silicone per AMS3303 SAE J200/ASTMD2000 M2GE506



**CDL**



D	Part Number		H	L	W	E	F	S	Gage	
Diameter of Tubes	HD Galv Part Number	Stainless Part Number	Hole Diameter	Center To Center	Width	Hole Center To End	Gap	Slot Length	HD Galv Gage	Stainless Gage
±.031			±.005	±.031	±.010	±.015	±.031	±.020	±.002	±.002
.187	CDL0307Z1	CDL0307SS	.203	.511	.500	.250	.062	.297	.032	.032
	CDL0309Z1	CDL0309SS	.281	.531	.500	.312	.062	.375	.032	.032
	CDL0311Z1	CDL0311SS	.343	.593	.625	.375	.062	.437	.032	.032
	CDL0313Z1	CDL0313SS	.406	.656	.750	.437	.062	.500	.032	.032
.250	CDL0407Z1	CDL0407SS	.203	.531	.500	.250	.062	.297	.032	.032
	CDL0409Z1	CDL0409SS	.281	.593	.500	.312	.062	.375	.032	.032
	CDL0411Z1	CDL0411SS	.343	.656	.625	.375	.062	.437	.032	.032
	CDL0413Z1	CDL0413SS	.406	.718	.750	.437	.062	.500	.032	.032
.312	CDL0507Z1	CDL0507SS	.203	.593	.500	.250	.062	.297	.032	.032
	CDL0509Z1	CDL0509SS	.281	.625	.500	.312	.062	.375	.032	.032
	CDL0511Z1	CDL0511SS	.343	.687	.625	.375	.062	.437	.032	.032
	CDL0513Z1	CDL0513SS	.406	.750	.750	.437	.062	.500	.032	.032
.375	CDL0607Z1	CDL0607SS	.203	.625	.500	.250	.062	.297	.032	.032
	CDL0609Z1	CDL0609SS	.281	.656	.500	.312	.062	.375	.032	.032
	CDL0611Z1	CDL0611SS	.343	.718	.625	.375	.062	.437	.032	.032
	CDL0613Z1	CDL0613SS	.406	.781	.750	.437	.062	.500	.032	.032
	CDL0615Z1	CDL0615SS	.468	.843	.750	.500	.062	.562	.032	.032
.437	CDL0617Z1	CDL0617SS	.531	.906	1.000	.562	.062	.625	.032	.032
	CDL0707Z1	CDL0707SS	.203	.656	.500	.250	.062	.297	.032	.032
	CDL0709Z1	CDL0709SS	.281	.687	.500	.312	.062	.375	.032	.032
	CDL0711Z1	CDL0711SS	.343	.750	.625	.375	.062	.437	.032	.032
	CDL0713Z1	CDL0713SS	.406	.812	.750	.437	.062	.500	.032	.032
.500	CDL0715Z1	CDL0715SS	.468	.875	.750	.500	.062	.562	.032	.032
	CDL0717Z1	CDL0717SS	.531	.937	1.000	.562	.062	.625	.032	.032
	CDL0807Z1	CDL0807SS	.203	.687	.500	.250	.062	.297	.032	.032
	CDL0809Z1	CDL0809SS	.281	.718	.500	.312	.062	.375	.032	.032
	CDL0811Z1	CDL0811SS	.343	.781	.625	.375	.062	.437	.048	.032
.562	CDL0813Z1	CDL0813SS	.406	.843	.750	.437	.062	.500	.048	.032
	CDL0815Z1	CDL0815SS	.468	.906	.750	.500	.062	.562	.048	.032
	CDL0817Z1	CDL0817SS	.531	.968	1.000	.562	.062	.625	.048	.032
	CDL0907Z1	CDL0907SS	.203	.718	.500	.250	.062	.297	.032	.032
	CDL0909Z1	CDL0909SS	.281	.750	.500	.312	.062	.375	.032	.032
.562	CDL0911Z1	CDL0911SS	.343	.812	.625	.375	.062	.437	.048	.032
	CDL0913Z1	CDL0913SS	.406	.875	.750	.437	.062	.500	.048	.032
	CDL0915Z1	CDL0915SS	.468	.937	.750	.500	.062	.562	.048	.032
	CDL0917Z1	CDL0917SS	.531	1.000	1.000	.562	.062	.625	.048	.032

Inspection note: Ends of legs may not line up if clamp is closed around non-rigid tubing or hose. For inspection, close around a hard mandrel. Additional clamping diameters and configurations are available.

# DOUBLE TUBE CLAMPS Extruded Liner

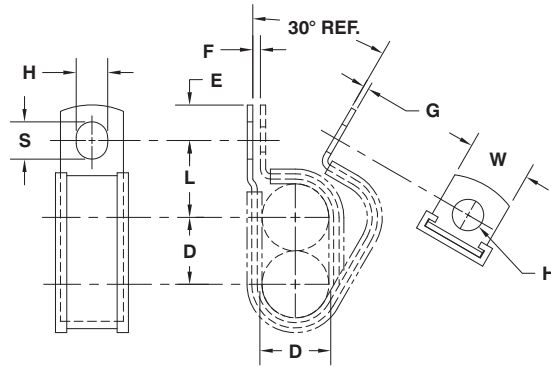
**MATERIAL:** HD Galv Steel, Chem-Treated G90, Per ASTM A653/A653M; Type 304 Annealed Stainless Steel, Per ASTM A240/A666

**CUSHION:** EPDM per SAE J200/ASTM D2000 BC715A

**OPTIONAL CUSHION:** Neoprene per AMS3209 SAE J200/ASTM D2000 BC717A14B14EO34, Silicone per AMS3303 SAE J200/ASTMD2000 M2GE506



**CDL**



D Diameter of Tubes ±.031	Part Number		H Hole Diameter ±.005	L Center To Center ±.031	W Width ±.010	E Hole Center To End ±.015	F Gap ±.031	S Slot Length ±.020	Gage	
	HD Galv Part Number	Stainless Part Number							HD Galv Gage ±.002	Stainless Gage ±.002
.625	CDL1009Z1	CDL1009SS	.281	.812	.500	.312	.062	.375	.032	.032
	CDL1011Z1	CDL1011SS	.343	.843	.625	.375	.062	.437	.048	.032
	CDL1013Z1	CDL1013SS	.406	.906	.750	.437	.062	.500	.048	.032
	CDL1015Z1	CDL1015SS	.468	.968	.750	.500	.062	.562	.048	.032
	CDL1017Z1	CDL1017SS	.531	1.031	1.000	.562	.062	.625	.048	.032
.687	CDL1109Z1	CDL1109SS	.281	.843	.500	.312	.062	.375	.032	.032
	CDL1111Z1	CDL1111SS	.343	.875	.625	.375	.062	.437	.048	.032
	CDL1113Z1	CDL1113SS	.406	.937	.750	.437	.062	.500	.048	.032
	CDL1115Z1	CDL1115SS	.468	1.000	.750	.500	.062	.562	.048	.032
	CDL1117Z1	CDL1117SS	.531	1.062	1.000	.562	.062	.625	.048	.032
.750	CDL1209Z1	CDL1209SS	.281	.875	.500	.312	.062	.375	.032	.032
	CDL1211Z1	CDL1211SS	.343	.906	.625	.375	.062	.437	.048	.032
	CDL1213Z1	CDL1213SS	.406	.968	.750	.437	.062	.500	.048	.032
	CDL1215Z1	CDL1215SS	.468	1.031	.750	.500	.062	.562	.048	.032
	CDL1217Z1	CDL1217SS	.531	1.093	1.000	.562	.062	.625	.048	.032
.812	CDL1309Z1	CDL1309SS	.281	.906	.500	.312	.062	.375	.032	.032
	CDL1311Z1	CDL1311SS	.343	.937	.625	.375	.062	.437	.048	.032
	CDL1313Z1	CDL1313SS	.406	1.000	.750	.437	.062	.500	.048	.032
	CDL1315Z1	CDL1315SS	.468	1.062	.750	.500	.062	.562	.048	.032
	CDL1317Z1	CDL1317SS	.531	1.125	1.000	.562	.062	.625	.048	.032
.875	CDL1409Z1	CDL1409SS	.281	.937	.500	.312	.062	.375	.032	.032
	CDL1411Z1	CDL1411SS	.343	.968	.625	.375	.062	.437	.048	.032
	CDL1413Z1	CDL1413SS	.406	1.031	.750	.437	.062	.500	.048	.032
	CDL1415Z1	CDL1415SS	.468	1.093	.750	.500	.062	.562	.048	.032
	CDL1417Z1	CDL1417SS	.531	1.156	1.000	.562	.062	.625	.048	.032
.937	CDL1509Z1	CDL1509SS	.281	.968	.500	.312	.062	.375	.032	.032
	CDL1511Z1	CDL1511SS	.343	1.000	.625	.375	.062	.437	.048	.032
	CDL1513Z1	CDL1513SS	.406	1.062	.750	.437	.062	.500	.048	.032
	CDL1515Z1	CDL1515SS	.468	1.125	.750	.500	.062	.562	.048	.032
	CDL1517Z1	CDL1517SS	.531	1.187	1.000	.562	.062	.625	.048	.032
1.000	CDL1609Z1	CDL1609SS	.281	1.000	.500	.312	.062	.375	.032	.032
	CDL1611Z1	CDL1611SS	.343	1.031	.625	.375	.062	.437	.048	.032
	CDL1613Z1	CDL1613SS	.406	1.093	.750	.437	.062	.500	.048	.032
	CDL1615Z1	CDL1615SS	.468	1.156	.750	.500	.062	.562	.048	.032
	CDL1617Z1	CDL1617SS	.531	1.218	1.000	.562	.062	.625	.048	.032

Inspection note: Ends of legs may not line up if clamp is closed around non-rigid tubing or hose. For inspection, close around a hard mandrel. Additional clamping diameters and configurations are available.

# DOUBLE TUBE CLAMPS Extruded Liner

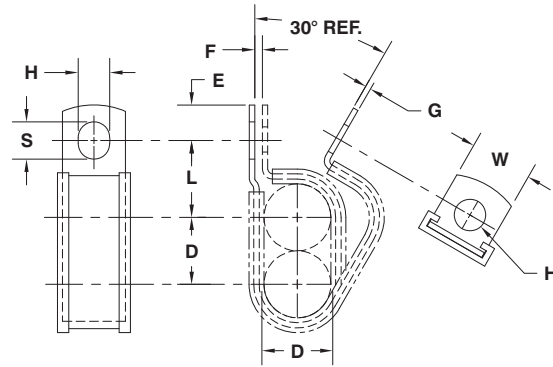
**MATERIAL:** HD Galv Steel, Chem-Treated G90, Per ASTM A653/A653M; Type 304 Annealed Stainless Steel, Per ASTM A240/A666

**CUSHION:** EPDM per SAE J200/ASTM D2000 BC715A

**OPTIONAL CUSHION:** Neoprene per AMS3209 SAE J200/ASTM D2000 BC717A14B14EO34, Silicone per AMS3303 SAE J200/ASTMD2000 M2GE506



**CDL**



D	Part Number		H	L	W	E	F	S	Gage	
Diameter of Tubes	HD Galv Part Number	Stainless Part Number	Hole Diameter	Center To Center	Width	Hole Center To End	Gap	Slot Length	HD Galv Gage	Stainless Gage
±.031			±.005	±.031	±.010	±.015	±.031	±.020	±.002	±.002
1.062	CDL1709Z1	CDL1709SS	.281	1.031	.500	.312	.062	.375	.048	.048
	CDL1711Z1	CDL1711SS	.343	1.062	.625	.375	.062	.437	.048	.048
	CDL1713Z1	CDL1713SS	.406	1.125	.750	.437	.062	.500	.048	.048
	CDL1715Z1	CDL1715SS	.468	1.187	.750	.500	.062	.562	.048	.048
	CDL1717Z1	CDL1717SS	.531	1.250	1.000	.562	.062	.625	.048	.048
1.125	CDL1809Z1	CDL1809SS	.281	1.062	.500	.312	.062	.375	.048	.048
	CDL1811Z1	CDL1811SS	.343	1.093	.625	.375	.062	.437	.048	.048
	CDL1813Z1	CDL1813SS	.406	1.156	.750	.437	.062	.500	.048	.048
	CDL1815Z1	CDL1815SS	.468	1.218	.750	.500	.062	.562	.048	.048
	CDL1817Z1	CDL1817SS	.531	1.281	1.000	.562	.062	.625	.048	.048
1.187	CDL1909Z1	CDL1909SS	.281	1.093	.500	.312	.062	.375	.048	.048
	CDL1911Z1	CDL1911SS	.343	1.125	.625	.375	.062	.437	.048	.048
	CDL1913Z1	CDL1913SS	.406	1.187	.750	.437	.062	.500	.048	.048
	CDL1915Z1	CDL1915SS	.468	1.250	.750	.500	.062	.562	.048	.048
	CDL1917Z1	CDL1917SS	.531	1.312	1.000	.562	.062	.625	.048	.048
1.250	CDL2009Z1	CDL2009SS	.281	1.125	.500	.312	.062	.375	.048	.048
	CDL2011Z1	CDL2011SS	.343	1.156	.625	.375	.062	.437	.048	.048
	CDL2013Z1	CDL2013SS	.406	1.218	.750	.437	.062	.500	.048	.048
	CDL2015Z1	CDL2015SS	.468	1.281	.750	.500	.062	.562	.048	.048
	CDL2017Z1	CDL2017SS	.531	1.343	1.000	.562	.062	.625	.048	.048
1.312	CDL2109Z1	CDL2109SS	.281	1.156	.500	.312	.062	.375	.048	.048
	CDL2111Z1	CDL2111SS	.343	1.187	.625	.375	.062	.437	.048	.048
	CDL2113Z1	CDL2113SS	.406	1.250	.750	.437	.062	.500	.048	.048
	CDL2115Z1	CDL2115SS	.468	1.312	.750	.500	.062	.562	.048	.048
	CDL2117Z1	CDL2117SS	.531	1.375	1.000	.562	.062	.625	.048	.048
1.375	CDL2209Z1	CDL2209SS	.281	1.187	.500	.312	.062	.375	.048	.048
	CDL2211Z1	CDL2211SS	.343	1.218	.625	.375	.062	.437	.048	.048
	CDL2213Z1	CDL2213SS	.406	1.281	.750	.437	.062	.500	.048	.048
	CDL2215Z1	CDL2215SS	.468	1.343	.750	.500	.062	.562	.048	.048
	CDL2217Z1	CDL2217SS	.531	1.406	1.000	.562	.062	.625	.048	.048
1.437	CDL2309Z1	CDL2309SS	.281	1.218	.500	.312	.062	.375	.048	.048
	CDL2311Z1	CDL2311SS	.343	1.250	.625	.375	.062	.437	.048	.048
	CDL2313Z1	CDL2313SS	.406	1.312	.750	.437	.062	.500	.048	.048
	CDL2315Z1	CDL2315SS	.468	1.375	.750	.500	.062	.562	.048	.048
	CDL2317Z1	CDL2317SS	.531	1.437	1.000	.562	.062	.625	.048	.048
1.500	CDL2409Z1	CDL2409SS	.281	1.250	.500	.312	.062	.375	.048	.048
	CDL2411Z1	CDL2411SS	.343	1.281	.625	.375	.062	.437	.048	.048
	CDL2413Z1	CDL2413SS	.406	1.343	.750	.437	.062	.500	.048	.048
	CDL2415Z1	CDL2415SS	.468	1.406	.750	.500	.062	.562	.048	.048
	CDL2417Z1	CDL2417SS	.531	1.468	1.000	.562	.062	.625	.048	.048

Inspection note: Ends of legs may not line up if clamp is closed around non-rigid tubing or hose. For inspection, close around a hard mandrel. Additional clamping diameters and configurations are available.